

h

communications

**OPERATING and SERVICE
INSTRUCTIONS**

S-38B

the hallicrafters co.

MANUFACTURERS OF RADIO, TELEVISION AND ELECTRONIC EQUIPMENT, CHICAGO 24, U. S. A.

DESCRIPTION

Hallicrafters Model S-38B is a table model, all-wave superheterodyne radio receiver which provides reception of the standard broadcast band and three shortwave bands with continuous coverage from 540 kilocycles (KC) to 32 megacycles (MC). The receiver employs five tubes including rectifier and provides AM (voice) and CW (code) reception over its entire frequency range.

FREQUENCY COVERAGE

BAND	FREQUENCY RANGE
1	540 KC - 1650 KC
2	1.65 MC - 5.1 MC
3	5 MC - 14.5 MC
4	13 MC - 32 MC

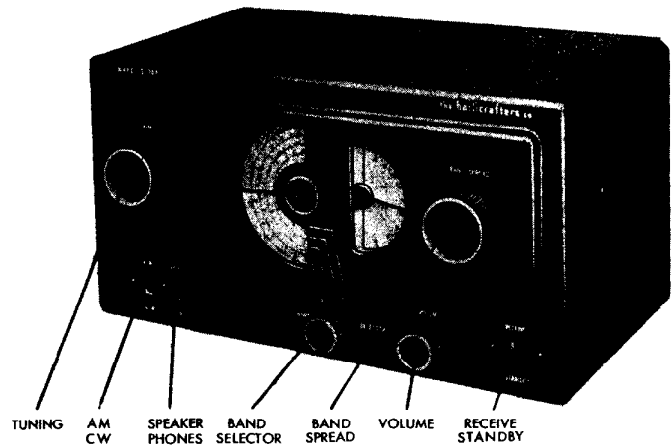


Fig. 1. Radio Receiver Model S-38B

92X1153-A

A bandswitch is provided for selecting any of the four ranges of reception which are indicated on the left hand or TUNING dial. An individual dial scale is provided for each of the four bands. The locations of the amateur bands and important shortwave channels are clearly marked on the TUNING dial. The BAND SPREAD dial is provided for fine tuning of the shortwave bands.

The RECEIVE/STANDBY switch permits disabling of the receiver for standby periods, the tube heaters being maintained at operating temperature for immediate operation.

The receiver is equipped with a built-in 5 inch permanent magnet speaker. Provision is also made in the receiver for the optional use of headphones.

The receiver is designed to operate from a 105-125 volt DC or 60 cycle AC power source. Before connecting the receiver to a wall outlet, carefully read the INSTALLATION INSTRUCTIONS which follow.

INSTALLATION INSTRUCTIONS

UNPACKING - Check all shipping labels and tags for instructions before removing or destroying them.

LOCATION - The receiver is equipped with rubber mounting feet for table top or shelf mounting. When locating the receiver, avoid excessively warm locations and recessed installations which prevent proper air circulation.

POWER SOURCE - The receiver is designed for operation from a 105-125 volt DC or 60 cycle AC power source. The power consumption is approximately 30 watts. If in doubt as to the frequency or voltage rating of your power source, contact the local power company representative to avoid damage to the receiver. When operating on DC, reverse the line cord plug at the wall outlet if the receiver does not operate after a one minute warm-up period. Operation from a 210-250 volt AC or DC source is possible by using a special line cord adapter available as an accessory from your Hallicrafters dealer (Hallicrafters part number 87D1566).

HEADPHONES - Tip jacks are provided on the rear apron of the chassis for headphone connection. Any standard pair of headphones with an impedance of 500 to 2000 ohms can be used with the receiver. For headphone operation, set the SPEAKER/PHONES switch located on the front panel at PHONES.

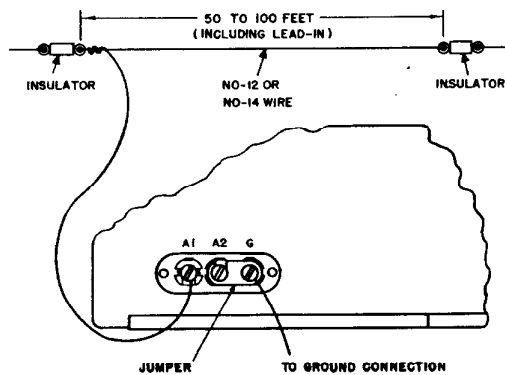
ANTENNA - A three terminal strip, marked A1, A2 and G, is provided on the rear apron of the chassis for antenna connection. Very satisfactory results can be obtained throughout the tuning range of the receiver with a conventional single wire antenna. In some instances, a length of wire strung about the room may suffice. However, it is recommended that a doublet antenna installation be employed on the shortwave bands for improved reception. Refer to page 3 for the construction and installation details of the single wire and doublet antennas.

SINGLE WIRE ANTENNA

1. Construct the antenna as shown in Fig. 2 and connect it to A1.
2. Connect the jumper between A2 and G.
3. Erect the antenna as high as possible and free of surrounding objects.
4. In some instances, a wire connected between G and a suitable ground such as a cold water pipe or outside ground rod may improve reception.

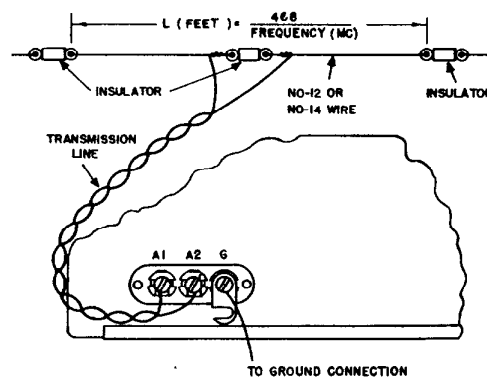
DOUBLET ANTENNA

1. The overall length (in feet) of the antenna is determined by dividing 468 by the frequency (in megacycles) at the high end of the range to which you wish to listen.
2. Construct the antenna as shown in Fig. 3.
3. A doublet antenna is directional broadside to its length and should be so oriented with respect to a desired station for maximum signal pickup.
4. When feeding the antenna with a twisted pair or ribbon type transmission line, connect the line to A1 and A2. The jumper between A2 and G should be disconnected.
5. When feeding the antenna with a coaxial transmission line, connect the inner conductor to A1 and the outer conductor to A2. Connect the jumper between A2 and G.
6. See Step 4 under SINGLE WIRE ANTENNA.



C1332-1-A

Fig. 2. Single Wire Antenna Installation



92C1332-2-A

Fig. 3. Doublet Antenna Installation Using Twisted Pair Lead-In

OPERATING INSTRUCTIONS

STANDARD BROADCAST RECEPTION

1. Set the **BAND SELECTOR** at 1 for the standard broadcast band.
2. Set the **AM/CW** switch at **AM** and the **SPEAKER/PHONES** switch at **SPEAKER**.
3. Set the **RECEIVE/STANDBY** switch at **RECEIVE**. When set at **STANDBY**, the receiver is inoperative but the tube heaters remain at operating temperature.
4. Set the **BAND SPREAD** dial pointer at 0. **IMPORTANT** - The calibration of the **TUNING** dial scales will be correct only when the **BAND SPREAD** dial pointer is set at 0.
5. Turn the receiver **ON** by rotating the **VOLUME** control clockwise to a well advanced position. When operating on DC, reverse the line cord plug at the wall outlet if the receiver does not operate after a one minute warm-up period. The **VOLUME** control will have to be reset for the desired volume level after the station has been tuned in.
6. Tune in the desired station with the **TUNING** control. Read the station frequency from the dial scale which corresponds to the setting of the **BAND SELECTOR**.
7. To turn the receiver **OFF**, rotate the **VOLUME** control counterclockwise until the switch click is heard.

SHORT WAVE RECEPTION

1. Follow the procedure outlined for **STANDARD BROADCAST RECEPTION** but set the **BAND SELECTOR** at 2, 3 or 4 for the desired shortwave band. For code reception, the **AM/CW** switch must be set at **CW** and the **TUNING** control must be adjusted for the desired pitch of the code signal when tuning in the station.
2. For fine tuning of the shortwave bands, refer to **BAND SPREAD TUNING** below.

BAND SPREAD TUNING

1. The **BAND SPREAD** control is a fine tuning adjustment which electrically spreads out any narrow range of frequencies in the tuning range of the receiver. Band spread tuning is not necessary on the standard broadcast band.
2. To use the **BAND SPREAD** control for fine tuning: (1) Set the **BAND SPREAD** dial pointer at 0 (2) Set the **TUNING** dial pointer at the high frequency end of the amateur band or group of shortwave stations to be covered and (3) Tune in the stations with the **BAND SPREAD** control.
3. Logging of shortwave stations is possible by recording the settings of the **TUNING** and **BAND SPREAD** dials. See inside of back cover for the shortwave station log.

SERVICE INSTRUCTIONS

GENERAL SPECIFICATIONS

Tubes 5 including 1 rectifier
 Speaker 5 inch PM
 Voice Coil Impedance 3.2 ohms
 Headphone Output Impedance 15 ohms
 Antenna Provision for use of either a
 single wire or doublet antenna
 Intermediate Frequency 455 KC
 Frequency Coverage See page 2
 Power Supply . . 105-125 volts DC or 60 cycles AC
 Power Consumption 30 watts

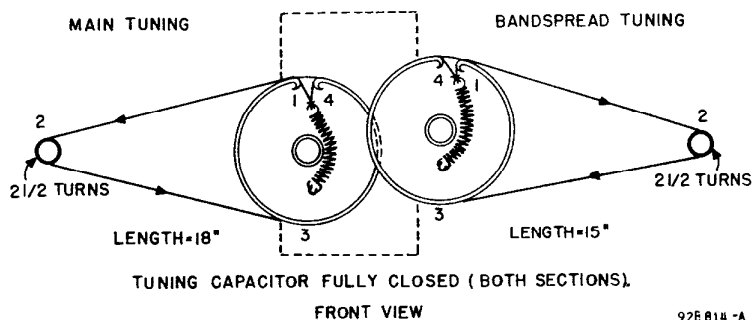


Fig. 4. Dial Cord Stringing Diagram

ALIGNMENT PROCEDURE

EQUIPMENT REQUIRED

1. Signal generator, with amplitude modulated output, covering 455 KC to 30 MC. Use a modulated output for every step except step 2.
2. Output meter. Connect the meter across the speaker voice coil.
3. Standard RMA dummy antenna consisting of a 200 mmf. capacitor in series with a 20 microhenry choke which is shunted by a 400 mmf. capacitor in series with a 400 ohm carbon resistor.
4. Non-metallic alignment tool.

REMOVING THE CHASSIS - The antenna and oscillator trimmers are accessible through the holes provided in the bottom cover. However, for complete alignment the chassis must be removed from the cabinet. To remove the chassis, proceed as follows: (1) Remove the cabinet back (2) Remove the four rubber mounting feet and the bottom cover (3) Remove the two screws at the bottom rear of the cabinet (4) Remove the front control knobs and (5) Remove the four screws which are located near the switches on the front panel.

CONTROL SETTINGS - BAND SPREAD control at 0, AM/CW switch at AM, SPEAKER/PHONES switch at SPEAKER, VOLUME control fully clockwise and RECEIVE/STANDBY switch at RECEIVE. For the settings of the remaining controls, see the ALIGNMENT CHART below. See Figs. 5 and 6 for the location of the alignment adjustments.

ALIGNMENT CHART

Step	Signal Generator Connections	Signal Gen. Frequency	Band Selector Setting	Receiver Dial Setting	Adjust	Instructions
1	High side to stator plates of front section of TUNING gang through a .01 mfd. capacitor. Ground side to G on antenna strip.	455 KC	1	1.0 MC	A,B, C,D	Adjust for maximum audio output at the speaker voice coil. Use just enough signal generator output to obtain a 50 milliwatt reading on the output meter.
2	Same as Step 1	455 KC (No Mod.)	1	1.0 MC	E	Set the AM/CW switch at CW. (Reset the switch at AM when Step 2 is completed.) For correct BFO operation, vary the coupling between wire E and pins 4 and 8 of the 12SK7 tube for a maximum beat note. Pushing wire E toward pin 4 increases the strength of the beat.
3	High side to A1 on antenna strip through the RMA dummy antenna. Ground side to G. Connect jumper between A2 and G.	30 MC	4	30 MC	F,G	Maximum output as in Step 1.
4	Same as Step 3	14 MC	3	14 MC	H,J	Maximum output as in Step 1.
5	Same as Step 3	5 MC	2	5 MC	K,L	Maximum output as in Step 1.
6	Same as Step 3	1500 KC 600 KC	1 1	1.5 MC .6 MC	M,N P	Maximum output as in Step 1.

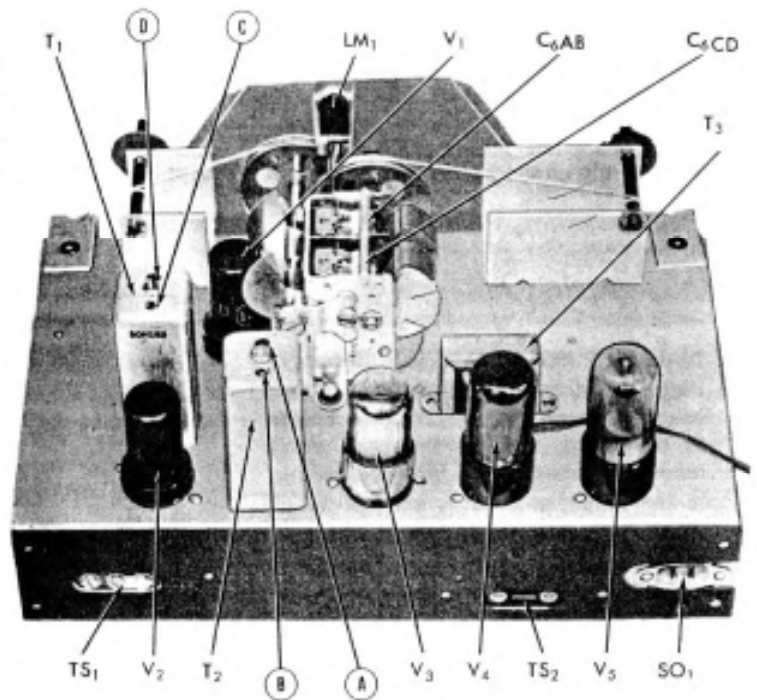
⊙ Step 2 is usually unnecessary. Adjustment should be made ONLY if a weak beat note is obtained on strong CW signals indicating lack of coupling between wire E and pins 4 and 8 of the 12SK7.

SERVICE OR OPERATING QUESTIONS - For further information regarding operation or servicing of the receiver, contact your dealer. Make no shipments directly to the factory as the factory will not accept responsibility for unauthorized shipments. Factory type service is available at any **HALLICRAFTERS AUTHORIZED SERVICE CENTER** which displays the sign shown below. For the location of the **SERVICE CENTER** nearest you, consult your dealer or telephone directory.



92X1403

The Hallicrafters Co. reserves the privilege of making revisions in current production of equipment and assumes no obligation to incorporate these revisions in earlier models.



92X1154-4

Fig. 5. Top View of Chassis Showing Location of Alignment Adjustments and Components

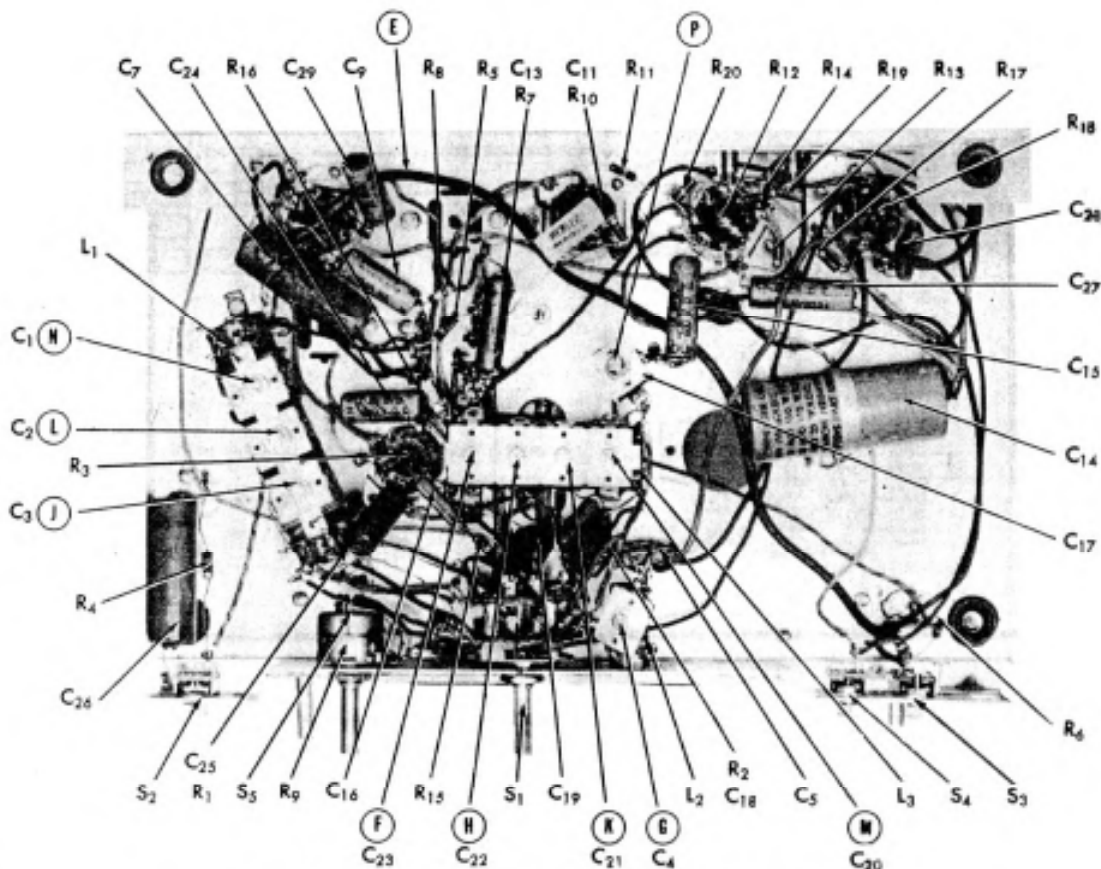


Fig. 6. Bottom View of Chassis Showing Location of Alignment Adjustments and Components

92X813-4

TUBE REPLACEMENT - The tube types and their location in the receiver are shown in Fig. 7. To gain access to all tubes, remove the back cover from the cabinet. Before attempting to replace the 12SA7, set the BAND SPREAD control fully clockwise and the TUNING control fully counterclockwise to prevent damage to the tuning capacitor. To replace a tube: (1) Insert the center guide pin of the tube into the center hole of the tube socket (2) Rotate the tube until the key on the guide pin drops into the notch in the socket hole and (3) Push down on the tube until the base of the tube rests firmly on the socket. Handle all tubes with care as they are fragile and will not withstand mechanical abuse.

DIAL LAMP REPLACEMENT - Refer to Fig. 7 for the location of the dial lamp used in the receiver. To gain access to the lamp, remove the back cover from the cabinet. To prevent damage to the tuning capacitor, set the BAND SPREAD control fully clockwise and the TUNING control fully counterclockwise before attempting to replace the lamp. Remove the dial lamp socket by compressing the side springs. The socket and defective lamp can then be brought out into the open. Make replacement with a 6-8 volt, Mazda #47 (brown bead) pilot lamp or equivalent.

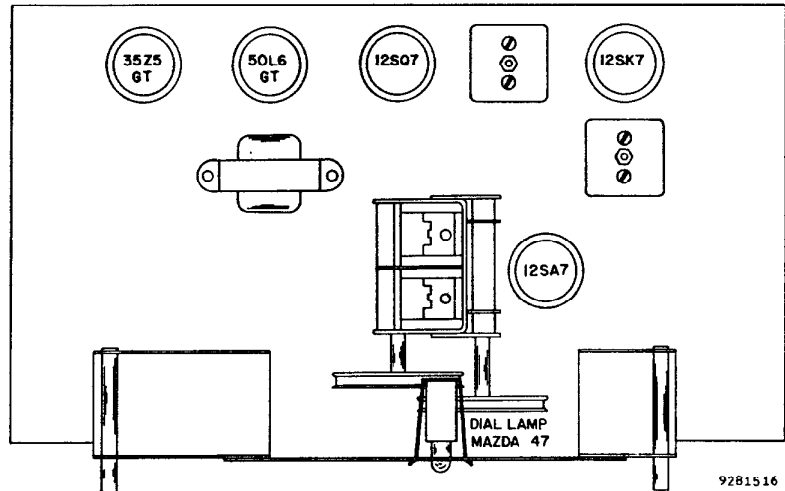
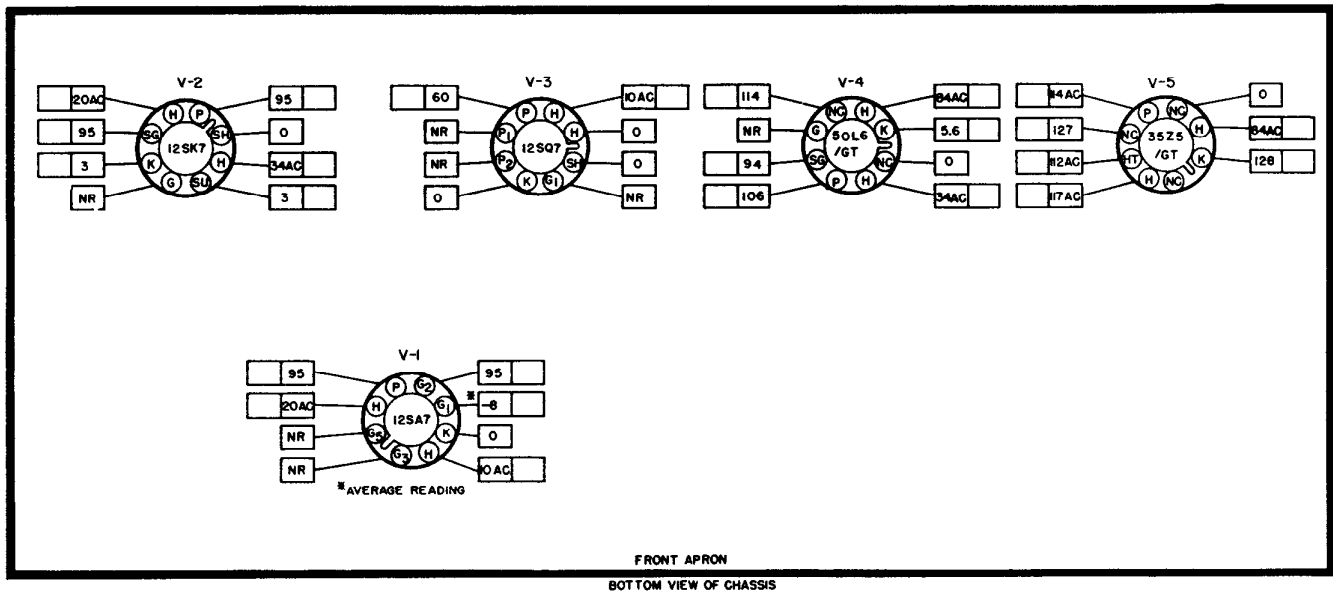


Fig. 7. Top View of Chassis Showing Tube and Dial Lamp Location



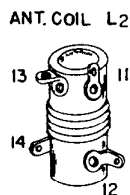
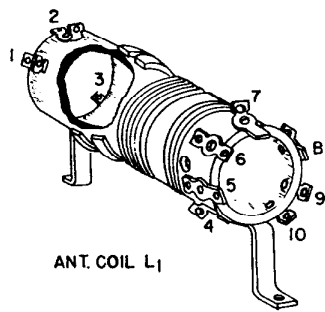
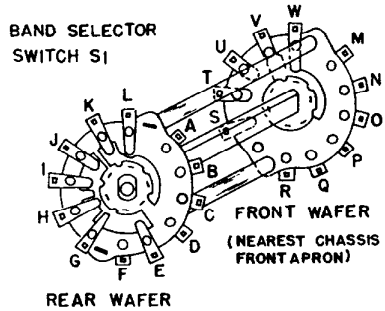
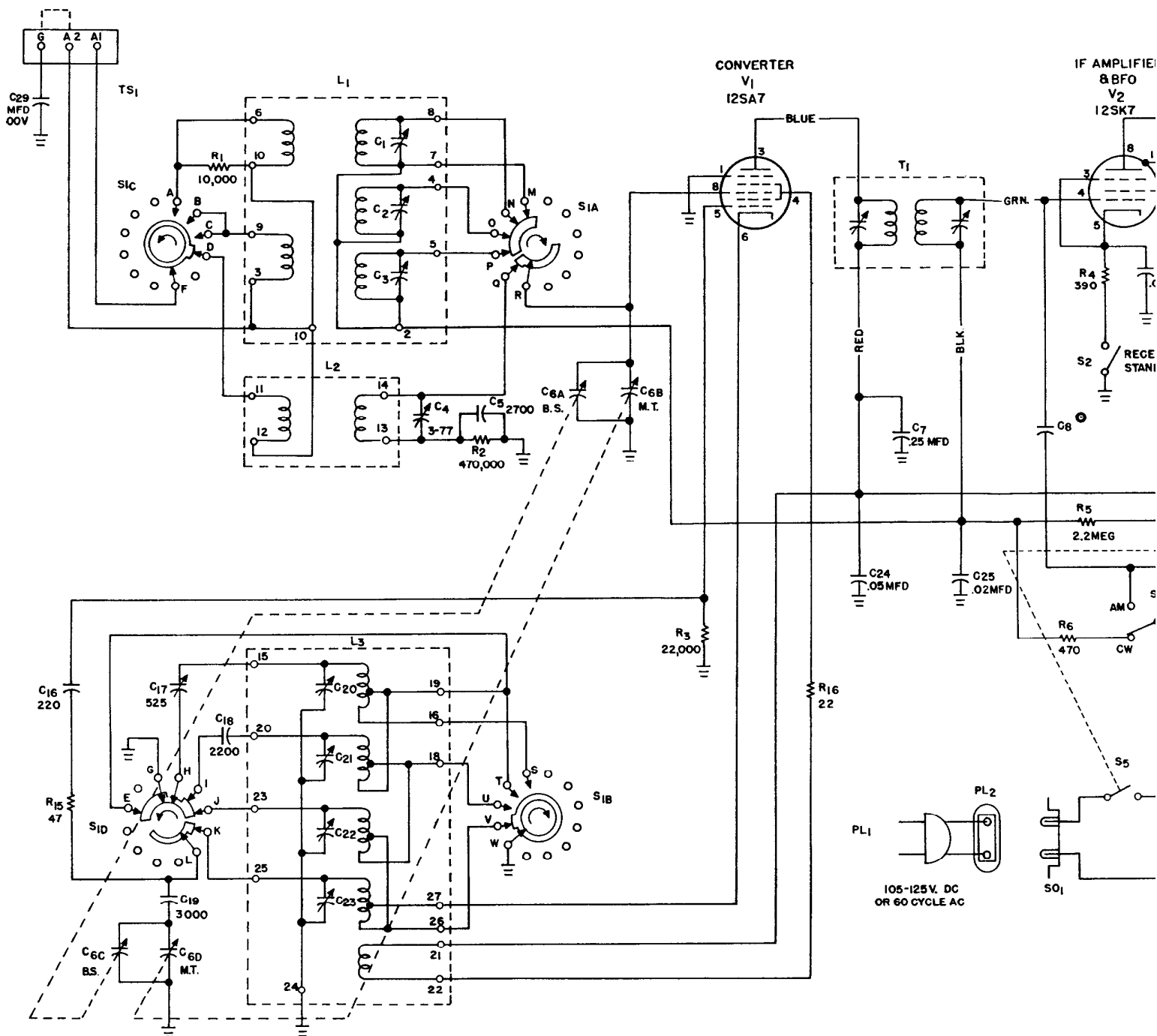
1. SOCKET VIEWS ARE BOTTOM VIEWS.
2. ALL VOLTAGES ARE MEASURED BETWEEN TUBE SOCKET TERMINALS & CHASSIS, WITH ZERO SIGNAL INPUT.
3. LINE VOLTAGE—117 V. AC. AC VOLTAGES WILL BE DC VOLTAGES WHEN OPERATING FROM A DC SOURCE.
4. ALL VOLTAGES SHOWN ARE DC UNLESS OTHERWISE SPECIFIED.
5. DC VOLTAGES SHOWN WERE MEASURED WITH AN ELECTRONIC VOLTMETER.
6. "NC" NO CONNECTION. (VOLTAGES SHOWN FOR THIS TERMINAL ONLY WHEN TERMINALS ARE USED AS A TIE LUG.)
7. "NR" NOT READABLE. (READING GENERALLY MEANINGLESS)
8. SPACE PROVIDED FOR SERVICE METER READINGS.

Fig. 8. Tube Socket Voltage Chart

92C786

SERVICE PARTS LIST

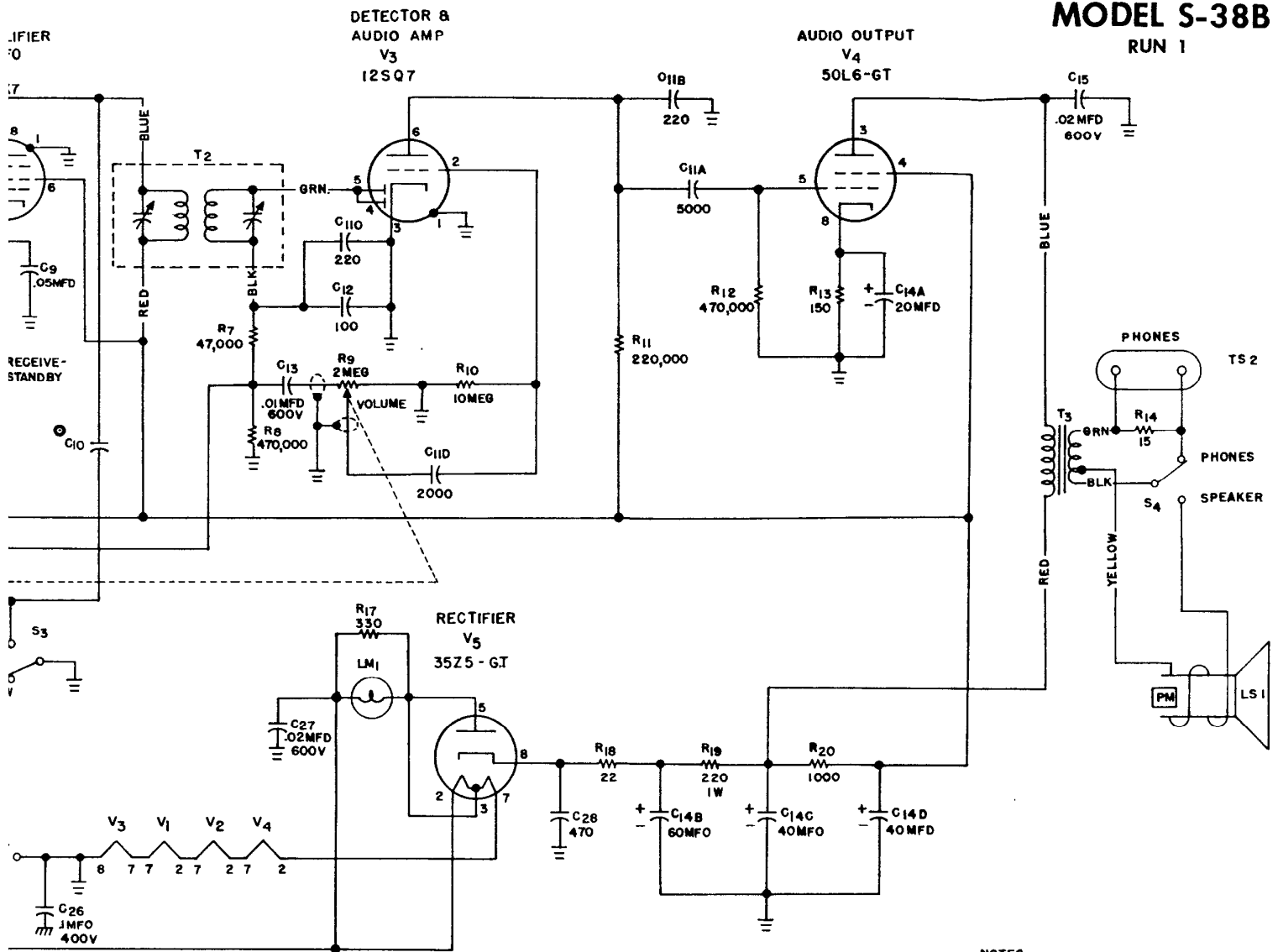
Schematic Symbol	Description	Hallicrafters Part Number	Schematic Symbol	Description	Hallicrafters Part Number
CAPACITORS			SWITCHES		
C-1,2,3	Trimmers; part of coil L-1	- - - - -	S-1A,B,C,D	Switch assembly, BAND SELECTOR	60C393
C-4	Trimmer, 3-77 mmf.	44A039	S-2	Switch, spst slide; RECEIVE/STANDBY	60A244
C-5	2700 mmf. 500 V., mica	47X30B272J	S-3,4	Switch, spdt slide; AM/CW and SPEAKER/PHONES	60A243
C-6A,B,C,D	Tuning capacitor, 2 section	48C162-1	S-5	Switch, power; part of VOLUME control R-7	- - - - -
C-7	.25 mfd. 200 V., tubular	46AT254J			
C-8,10	Wiring capacity	- - - - -			
C-9,24	.05 mfd. 200 V., tubular	46AU503J			
C-11A,B,C,D	Composite capacitor: 5000, dual 220, 2000 mmf. 500 V.; ceramic	46A151			
C-12	100 mmf. 500 V., mica	47X20B101K		CONNECTORS	
C-13,29	.01 mfd. 600 V., tubular	46AZ103J	PL-1	Line cord and plug PL-2	87B1668-1
C-14A,B,C,D	20 mfd. 25 V., 60-40-40 mfd. 150 V., electrolytic	45B091	PL-2	Line cord plug	- - - - -
C-15,27	.02 mfd. 600 V., tubular	46AY203J		Socket, dial lamp; includes leads	86A011
C-16	220 mmfd. 500 V., mica	47X20A221K		Socket, octal tube	6A250
C-17	Padder, 525 mmf.	44A349	SO-1	Socket, power input	10A286
C-18	2200 mmf. 500 V., mica	47X30B222J	TS-1	Terminal strip, antenna	88A671
C-19	3000 mmf. 500 V., mica	47X30B302J	TS-2	PHONE jacks	88A071
C-20,21,22,23	Trimmers; part of coil L-3	- - - - -			
C-25	.02 mfd. 400 V., tubular	46AW203J		TUBES AND DIAL LAMPS	
C-26	.1 mfd. 400 V., tubular	46AV104J	V-1	12SA7: converter	90X12SA7
C-28	470 mmfd. 500 V., mica	47X20B471M	V-2	12SK7: IF amplifier and B.F.O.	90X12SK7
	RESISTORS		V-3	12SQ7: detector and audio amplifier	90X12SQ7
R-1	10,000 ohms 1/2 watt, carbon	23X20X103M	V-4	50L6GT: audio output	90X50L6GT
R-2,8,12	470,000 ohms 1/2 watt, carbon	23X20X474M	V-5	35Z5GT: rectifier	90X35Z5GT
R-3	22,000 ohms 1/2 watt, carbon	23X20X223M	LM-1	Lamp, pilot; Mazda #47	39A004
R-4	390 ohms 1/2 watt, carbon	23X20X391K			
R-5	2.2 megohms 1/2 watt, carbon	23X20X225M		MISCELLANEOUS PARTS	
R-6	470 ohms 1/2 watt, carbon	23X20X471K		Cabinet	66B625
R-7	47,000 ohms 1/2 watt, carbon	23X20X473M		Cabinet back	8C1139
R-9	VOLUME control, 2 megohms; includes switch S-5	25B896		Cabinet bottom	8C1140
R-10	10 megohms 1/2 watt, carbon	23X20X106M		Clip, coil L-2 mtg.	76A362
R-11	220,000 ohms 1/2 watt, carbon	23X20X224M		Dial cord, 30 1/2 inches	38A019
R-13	150 ohms 1/2 watt, carbon	23X20X151K		Dial scale	83C373
R-14	15 ohms 1/2 watt, carbon	23X20X150M		Grommet, rubber; for insulating cabinet from chassis	16A201
R-15	47 ohms 1/2 watt, carbon	23X20X470M		Insulator, nylon; fits in grommet 16A201	4A646
R-16,18	22 ohms 1/2 watt, carbon	23X20X220M		Knob, BAND SPREAD and TUNING	15A048
R-17	330 ohms 1/2 watt, carbon	23X20X331M		Knob, BAND SELECTOR and VOLUME	15A049
R-19	220 ohms 1 watt, carbon	23X30X221M		Mounting foot, rubber	16A007
R-20	1000 ohms 1/2 watt, carbon	23X20X102M		Pointer, BAND SPREAD	82A103
	COILS AND TRANSFORMERS			Pointer, TUNING	82A177
L-1	Coil, antenna; bands 1, 2 and 3	51C821		Shaft, BAND SPREAD	74A319
L-2	Coil, antenna; band 4	51B1015		Shaft, TUNING	74A318
L-3	Coil, oscillator; bands 1, 2, 3 and 4	51C822	LS-1	Speaker, 5 inch PM	85C030
T-1	Transformer, 1st IF	50B183		Spring, dial cord	75A012
T-2	Transformer, 2nd IF	50B184		Washer, fiber; for insulating cabinet from chassis	4A647
T-3	Transformer, audio output	55A127		Window, dial	22B311



NOTE: VALUES & TOLERANCES SHOWN ARE NOMINAL. IT IS RECOMMENDED THAT THE VALUES OF THE PARTS BE TO THE NOMINAL VALUE OF THE PART BEING USED.

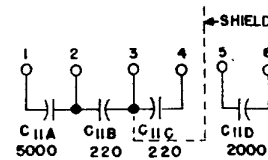
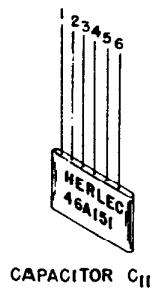
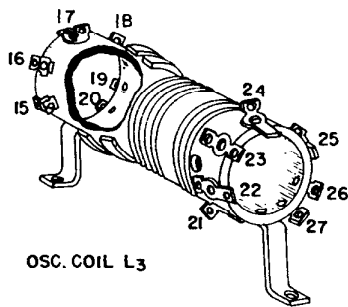
MODEL S-38B

RUN 1



NOTES

1. RESISTANCE VALUES ARE IN OHMS.
 2. CAPACITOR VALUES ARE IN MMF UNLESS OTHERWISE SPECIFIED.
 3. RESISTOR RATINGS ARE 1/2 WATT UNLESS OTHERWISE SPECIFIED.
 4. BAND SELECTOR SWITCH (S₁) SHOWN IN BAND 4 POSITION.
- ⊥ CHASSIS GROUND
 ⏏ CABINET GROUND
 ⊙ WIRE GIMMICK
- LAST CAPACITOR SYMBOL C-29
 LAST RESISTOR SYMBOL R-20



89F 326-E

MINOR VARIATIONS MAY BE FOUND.
 IF ANY REPLACEMENT CORRESPONDING TO THE ORIGINAL IS BEING REPLACED.

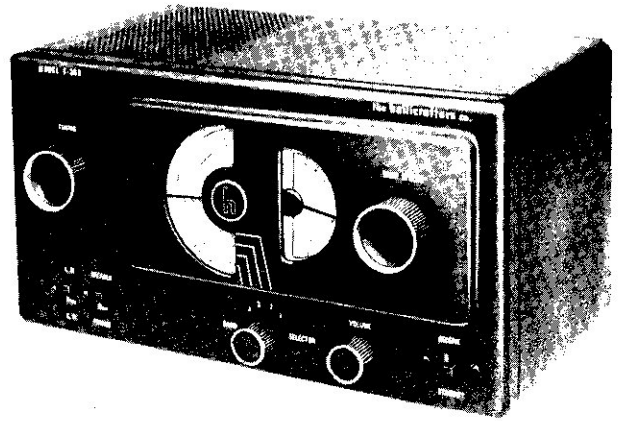
Fig. 9. Schematic Diagram

MODELS S-38A,
S-38B

GENERAL

- Tubes Four plus rectifier.
- Speaker 5-inch PM.
- Voice Coil Impedance 3.2 ohms.
- Headset Output Low impedance.
- Antenna Provisions for external antenna with transmission line or single wire feed.
- Tuning Manual
- Tuning Range

Band Selector Position	Frequency Range
1	550 kc - 1650 kc.
2	1.7 mc - 5.1 mc.
3	5 mc - 14.5 mc.
4	13 mc - 31 mc.
- Intermediate Frequency..... 455 kc.
- Power Supply..... 105-125 V. DC or 60 cycles AC.
- Power Consumption 30 Watts



92X1153

CAUTION - The four rubber grommets insulate the chassis from the cabinet. Check the condition of these grommets and replace if necessary.

The standard RMA dummy antenna specified in the alignment chart consists of a 200 mmf condenser in series with a 20 uh r-f choke which is shunted by a 400 mmf condenser in series with a 400 ohm carbon resistor.

Set the following controls before alignment.

- AM/CW Set at AM
- SPEAKER/PHONES Set at SPEAKER
- VOLUME Set at maximum
- RECEIVE/STANDBY..... RECEIVE
- BAND SPREAD Set at zero

For the settings of the remaining controls, see alignment chart.

ALIGNMENT PROCEDURE

Holes in the bottom cover permit minor adjustment of the oscillator and mixer stage trimmers, however for complete alignment, the chassis will have to be removed from the cabinet. To separate the chassis from the cabinet, remove the back cover and bottom plate. The chassis is fastened to the cabinet by four front panel screws located near the slide switches and two cabinet screws located at the bottom rear of the cabinet.

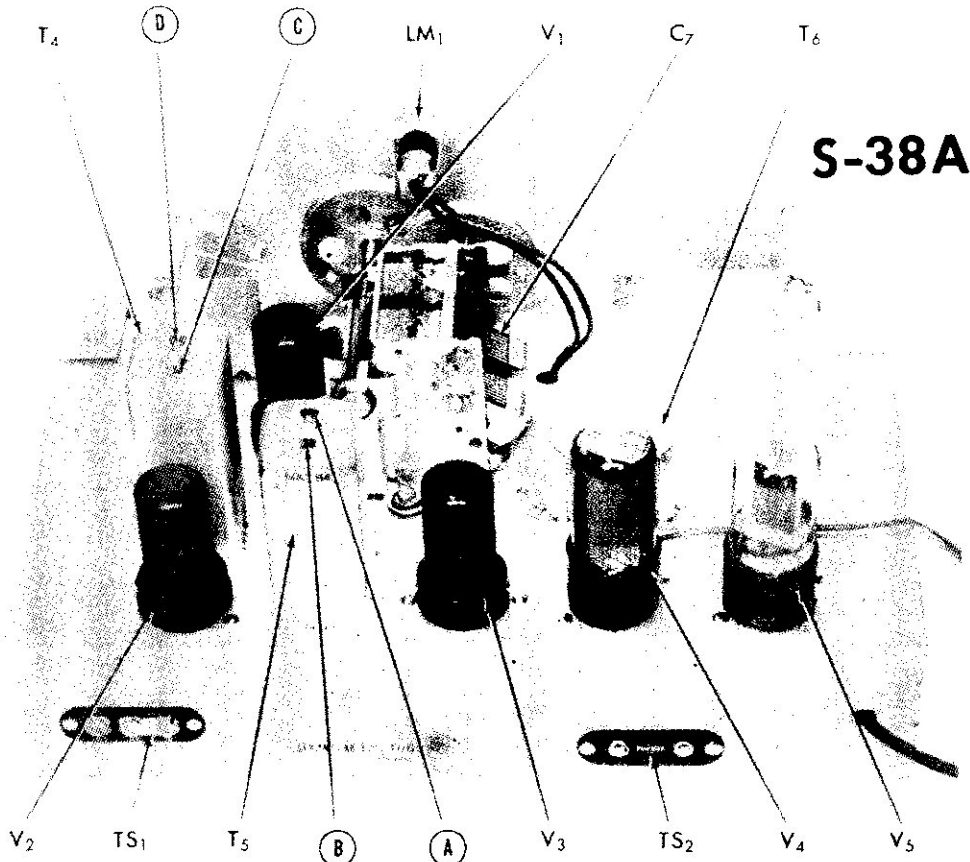
ALIGNMENT CHART

Step	Dummy Antenna	Signal Generator Coupling	Signal Generator Frequency	Band Selector Setting	Receiver Dial Setting	Adjust	Remarks
1	.01 mfd cap.	Stator plates, front section of tuning gang.	455 kc	1	1000 kc	A,B,C,D	Adjust for max. audio output at speaker voice coil. Use just enough signal generator output to obtain a 50 mw signal level.
2**	See step 1	See step 1	455 kc (No modulation)	1	1000 kc	E	Set the AM/CW switch at CW. (Reset the switch at AM when step 2 is completed.) Correct BFO operation is obtained by varying the coupling between the wire "E" and the 12SK7 tube grid and plate terminals (Pins 4 and 8.) Pushing the wire toward the grid terminal increases the capacity and the strength of the beat.
3	Std. RMA dummy	High side to term. A1 on antenna strip. Jumper wire between A2 and G	30 mc	4	30 mc	*F,G	Max. output as in step 1.
4	Std. RMA dummy	See step 3.	14 mc	3	14 mc	*H,J	Max. output as in step 1.
5	Std. RMA dummy	See step 3	5 mc	2	5 mc	*K,L	Max. output as in step 1.
6	Std. RMA dummy	See step 3	1500 kc 600 kc	1	1500 kc 600 kc	*M,N *P	Max. output as in step 1.

* Note - Calibration adjustments.

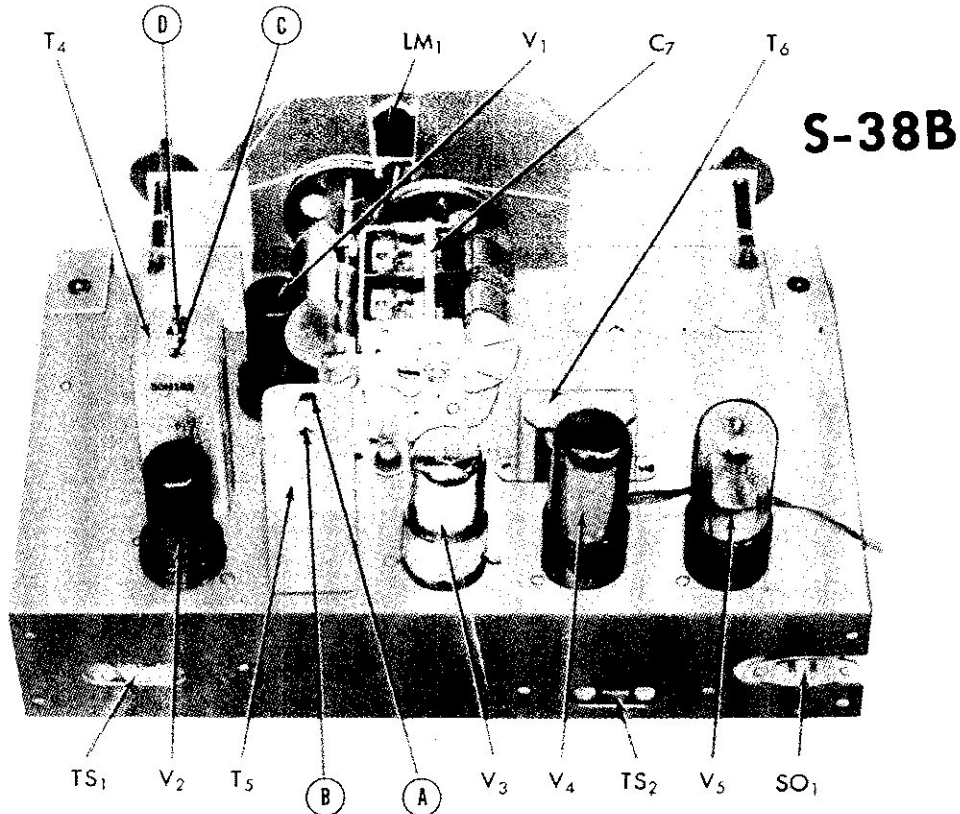
** Note - This step is generally unnecessary. Adjustment should be made if a weak beat note is obtained on strong c-w signals indicating lack of coupling between wire "E" and tube socket wiring.

MODELS S-38A,
S-38B



92X812

Fig. 2. Top view, alignment adjustments and component location



92X1154

Fig. 2. Top view, alignment adjustments and component location

MODELS S-38A,
S-38B

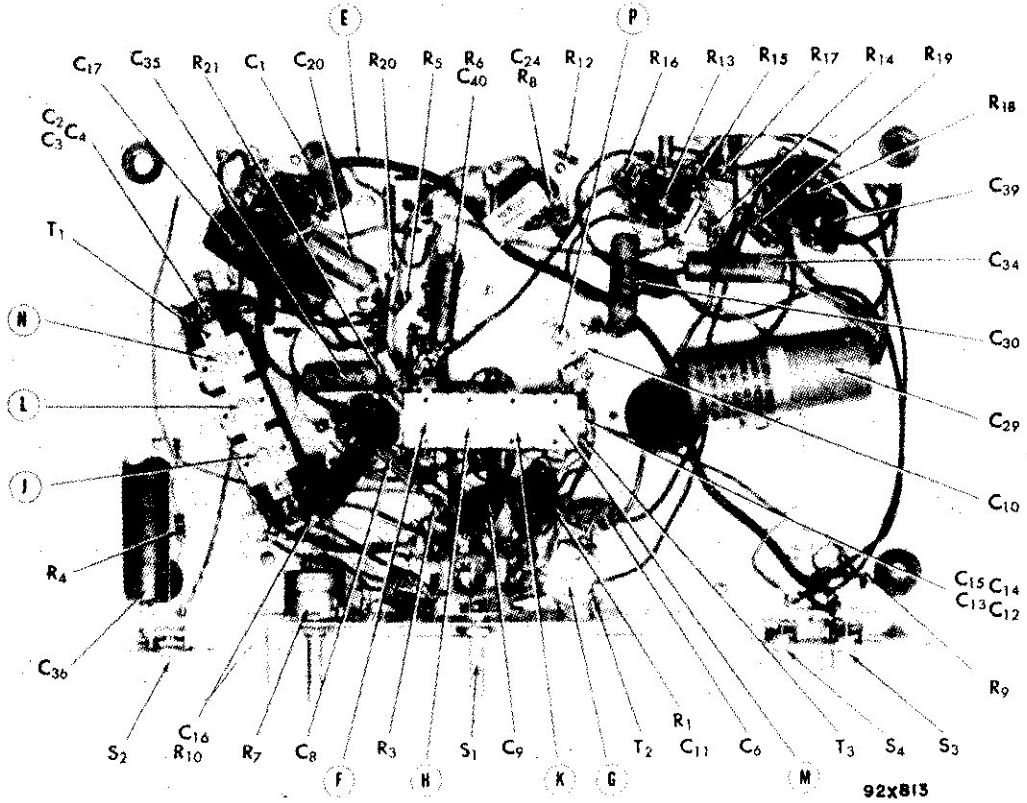


Fig. 3. Bottom view, alignment adjustments and component location

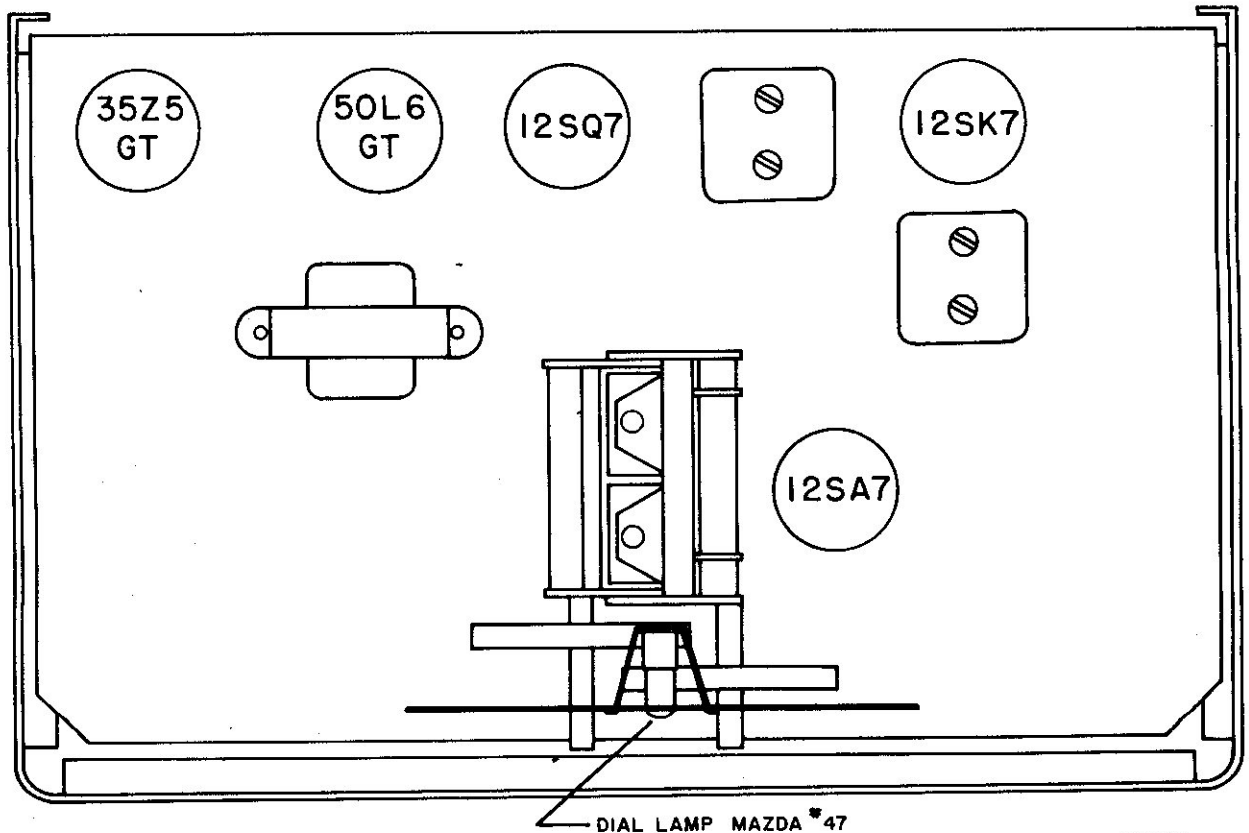
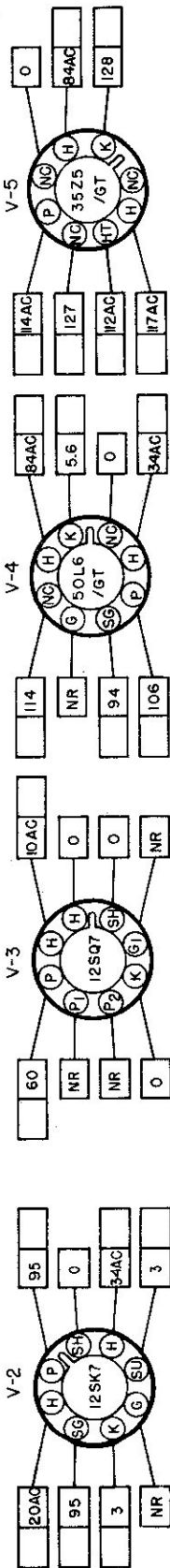


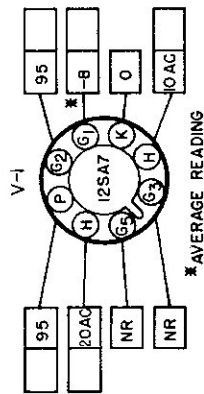
Fig. 4. Top view, location of tubes and dial lamps.

928811

MODELS S-38A,
S-38B



1. SOCKET VIEWS ARE BOTTOM VIEWS.
2. ALL VOLTAGES ARE MEASURED BETWEEN TUBE SOCKET TERMINALS & CHASSIS, WITH ZERO SIGNAL INPUT.
3. LINE VOLTAGE—117 V. AC. AC VOLTAGES WILL BE DC VOLTAGES WHEN OPERATING FROM A DC SOURCE.
4. ALL VOLTAGES SHOWN ARE DC UNLESS OTHERWISE SPECIFIED.
5. DC VOLTAGES SHOWN WERE MEASURED WITH AN ELECTRONIC VOLTMETER.
6. "NC" NO CONNECTION. (VOLTAGES SHOWN FOR THIS TERMINAL ONLY WHEN TERMINALS ARE USED AS A TIE LUG.)
7. "NR" NOT READABLE (READING GENERALLY MEANINGLESS)
8. SPACE PROVIDED FOR SERVICE METER READINGS.



920786

Fig. 5. Tube socket voltage chart.

FRONT APRON

BOTTOM VIEW OF CHASSIS

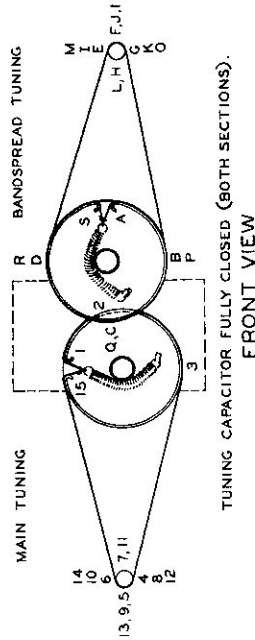
RESTRINGING DIAL CORD

To restring the general coverage tuning dial cord cut a 14-inch length of 30 lb. test dial cord and tie one end to the tension spring at position "1" on the diagram. Follow the sequence "1" through "15" and at position "15" stretch the tension spring and tie the cord securely.

To restring the band spread tuning dial cord, cut a 16-inch length of dial cord and follow the procedure as above, starting at position "A" on the diagram. Note that the tuning drive shafts are wrapped with two and a fraction turns of dial cord for proper traction.

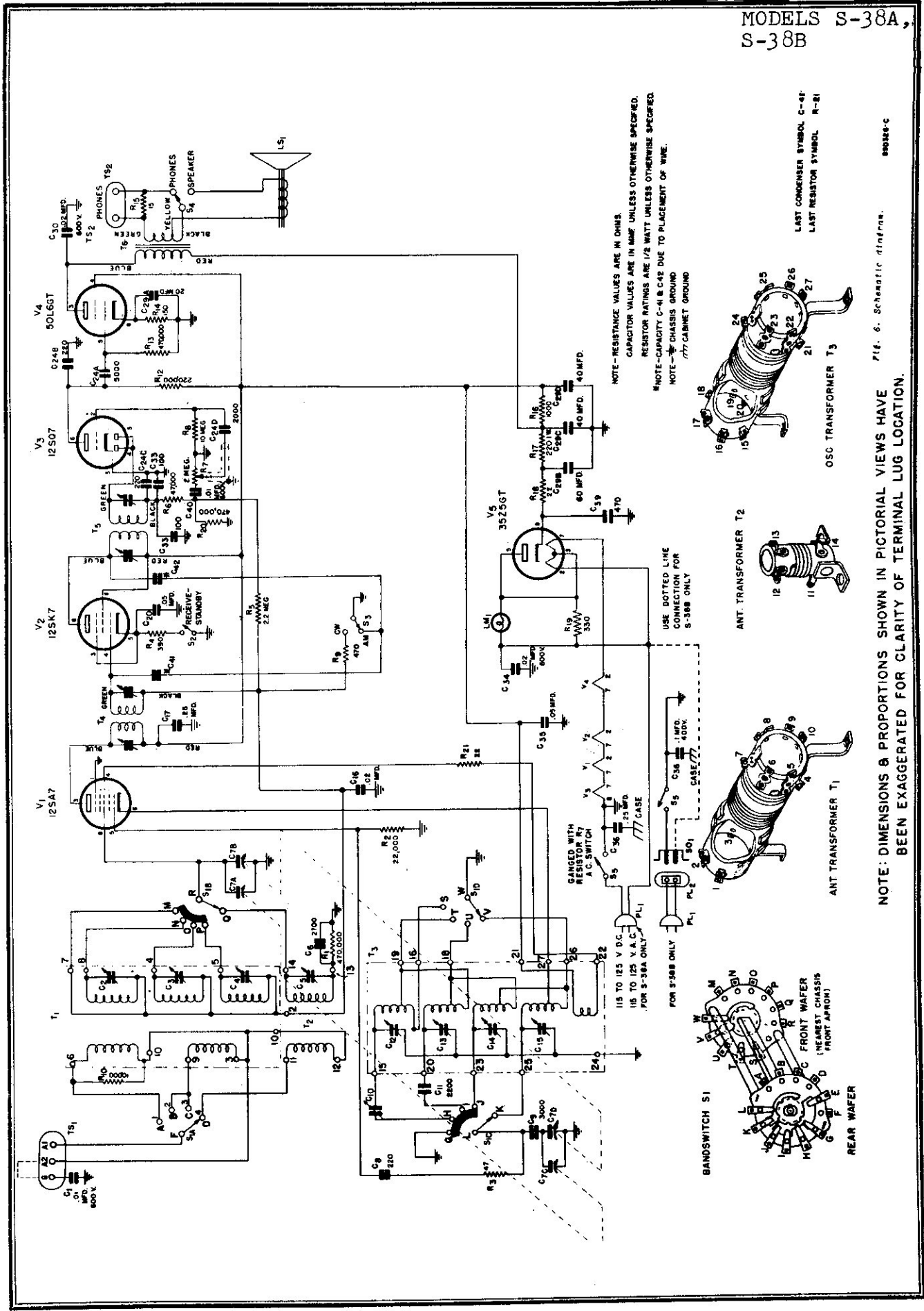
REPLACING LAMPS

Refer to Fig. 4, for the location of the dial lamp used in receiver. To gain access to the defective lamp, reach in through the rear of the cabinet (cover removed) and unclip the dial lamp socket by compressing the side springs. The socket may then be brought out into the open to change the defective lamp. Replace defective lamps with 6-8 V. Mazda #47 (Brown bead) lamps or equivalent.



920804

Fig. 1. Dial cable stringing procedure.



NOTE: DIMENSIONS & PROPORTIONS SHOWN IN PICTORIAL VIEWS HAVE BEEN EXAGGERATED FOR CLARITY OF TERMINAL LUG LOCATION.

Fig. 6. Schematic diagram.

MODELS S-38A,
S-38B

SERVICE PARTS LIST

Ref. No.	Description	Manufacturer's Part Number	Ref. No.	Description	Manufacturer's Part Number
CONDENSERS			SWITCHES		
C-1,40	.01 mfd. 600 V., tubular	46AY103J	S-1	Bandswitch assembly	60C393
C-2,3,4	Trimmers, adjustable (Part of transformer T-1)		S-2	Switch, slide; RECEIVE-STANDBY	60A244
C-5	Trimmer, adjustable (For transformer T-2)	44A039	S-3,4	Switch, slide; SPST; AM-CW & SPEAKER-PHONES	60A243
C-6	2700 mmf 500 V, mica	47X30A272J	S-5	Switch, power (Part of VOLUME control R-7)	
C-7	Tuning condenser, 2 sections	48C162-1			
C-8	220 mmf 500 V, mica	47X20A221K			
C-9	3000 mmf 500 V, mica	47X30A302J			
C-10	Padder, adjustable (Band 1)	44A349			
C-11	2200 mmf 500 V, mica	47X30A222J		CONNECTORS	
C-12,13, 14,15	Trimmers, adjustable (Part of transformer T-3)		PL-1	Line cord (Includes PL-2)	87B1668-1
C-16	.02 mfd 400 V, tubular	46AW203J	TS-1	Terminal strip, antenna	88A671
C-17	.25 mfd 200 V, tubular	46AT254J	TS-2	Headset, jack	88A071
C-20,35	.05 mfd. 200 V, tubular	46AU503J	SO-1	Socket, a-c	10A286
C-24	Capacitor, composite; 5,000, 2X220, and 2000 mmf; 500 V.; ceramic	46A151		Socket, octal (tube)	6A250
C-29	60-40-40 mfd 150 V, 20 mfd. 25 V, electrolytic	45B091		Socket, dial light	86A011
C-30,34	.02 mfd 600 V, tubular	46AY203J			
C-33	100 mmf. 500 V, mica	47X20B101K	V-1	Type 12SA7, mixer/oscillator	90X12SA7
C-36	.1 mfd. 400 V., tubular	46AV104J	V-2	Type 12SK7, i-f amplifier & BFO	90X12SK7
C-39	470 mmf 500 V, mica	CM20A471M	V-3	Type 12SQ7, detector & 1st audio amplifier	90X12SQ7
C-41,42	Wiring capacity		V-4	Type 50L6GT, audio power amplifier	90X50L6GT
	RESISTORS		V-6	Type 35Z5GT, rectifier	90X35Z5GT
R-1,13,20	470,000 ohms 1/2 watt, carbon	23X20X474M	LM-1	Lamp, dial light, Mazda #47	39A004
R-2	22,000 ohms 1/2 watt, carbon	23X20X223M			
R-3	47 ohms 1/2 watt, carbon	23X20X470M			
R-4	390 ohms 1/2 watt, carbon	23X20X391K			
R-5	2.2 megohms 1/2 watt, carbon	23X20X225M		CABINET PARTS	
R-6	47,000 ohms 1/2 watt, carbon	23X20X473M		Clip, coil mtg (For transformer T-2)	76A362
R-7	Resistor, variable; VOLUME control	25B896		Shaft, main tuning	74A318
R-8	10 megohms 1/2 watt, carbon	23X20X106M		Shaft, bandspread	74A319
R-9	470 ohms 1/2 watt, carbon	23X20X471K		Washer, spring (for main tuning and bandspread drive shafts)	4A043
R-10	10,000 ohms 1/2 watt, carbon	23X20X103M		Spring, retainer ("C" washer type)	75A062
R-12	220,000 ohms 1/2 watt, carbon	23X20X224M		Dial cord	38A019
R-14	150 ohms 1/2 watt, carbon	23X20X151K		Spring, dial cord	75A012
R-15	15 ohms 1/2 watt, carbon	23X20X150M		Pointer, main tuning	82A177
R-16	1000 ohms 1/2 watt, carbon	23X20X102M		Pointer, bandspread tuning	82A103
R-17	220 ohms 1 watt, carbon	23X30X221M		Dial scale	83C373
R-18,21	22 ohms 1/2 watt, carbon	23X20X220M		Knob, VOLUME control and BAND SELECTOR	15A049
R-19	330 ohms 1/2 watt, carbon	23X20X221M		Knob, TUNING and BAND-SPREAD	15A047
	TRANSFORMERS AND COILS		LS-1	Speaker, PM	85C030
T-1	Transformer, antenna stage, Bands 1, 2 and 3	51C821		Baffle, speaker	78B198
T-2	Transformer, antenna stage, Band 4	51B1015		Cabinet back	8C1139
T-3	Transformer, oscillator stage, Bands 1, 2, 3 and 4	51C822		Cabinet bottom	8C1140
T-4	Transformer, i-f amp. stage	50B183		Mounting foot, rubber	16A007
T-5	Transformer, i-f amp. stage (diode)	50B184		Window, dial	22B311
T-6	Transformer, audio output	55A127			